

# 2MP IR IP H.265 COMPACT DOME CAMERA



ENV-HCD5F-30R-89

## FEATURES

Day/night functionality
Smart IR, Up to 30M
H.265+, H.265, H.264, MJPEG
ONVIF (Profile S/G/T)
Support PoE power supply
IP67



## SPECIFICATION

MODEL	Model No.	ENV-HCD5F-30R-89	
CAMERA	Type	2MP IR IP H.265 Compact Dome camera	
	Image Sensor	1/2.9", 2.0 Megapixel, Progressive scan, CMOS	
	Lens	2.8 mm Fixed Lens	
	Angle of View (H)	97.4°	
	Day/Night	IR-cut filter with auto switch (ICR)	
	Shutter	Auto/Manual, 1~1/100000 s	
	Min. Illumination	Colour: 0.01Lux@F2.0 B/W: 0Lux with IR	
	AGC	Auto/Manual	
	Smart IR	Up to 30M	
	S/N	52dB	
	Defog	Digital Defog	
	Digital noise reduction	2D/3D DNR	
	WDR	Configurable	
	VIDEO	Max.Resolution	1920x1080
		Video Compression	H.265+, H.265, H.264, MJPEG
Frame Rate		Main Stream: (1920 x1080, 1280 x720, 704 x576, 640 x 480) @25fps (1920 x1080,1280 x720, 704 x480, 640 x480) @30fps Sub Stream: (704 x 576, 704 x 288, 640 x360, 352 x 288) @25fps (704 x 480, 704 x 240, 640 x 360, 352 x 240) @30fps	
HLC/BLC		Supported	
OSD		Up to 3 OSDs	
Privacy Mask		Up to 4 areas	
Motion Detection		Supported	



# 2MP IR IP H.265 COMPACT DOME CAMERA

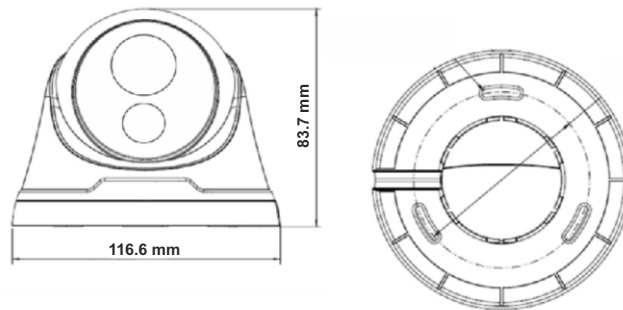


ENV-HCD5F-30R-89

## SPECIFICATION

<b>MODEL</b>	<b>Model No.</b>	<b>ENV-HCD5F-30R-89</b>
	Type	2MP IR IP H.265 Compact Dome camera
<b>INTERFACE</b>	Protocols	IPv6, IPv4, TCP/IP, HTTP, FTP, DHCP, DNS, DDNS, MULTICAST, NTP, UDP, Telnet
	Compatibility	ONVIF (Profile S/G/T), SDK, API (Optional)
	Network	1 RJ45 10M/ 100M self adaptive Ethernet port
	Built in Mic	Supported
<b>GENERAL</b>	Power Supply	12V DC, PoE (IEEE802.3 af)
	Power Consumption	Max.7W
	Edge Storage	Micro SD Card Slot, Up to 512 GB
	ANR	Supported
	Working Environment	-35°C ~ +65°C, Humidity : ≤95% RH(Non-condensing)
	Ingress Protection	IP67
	Dimensions	116.6 x 116.6 x 83.7mm
Weight	0.47Kg	

Dimension Unit: mm



## ORDERING INFORMATION

Part Number	Description	Standard Quantity
ENV-HCD5F-30R-89	2MP IR IP H.265 Compact Dome camera with 2.8 mm Fixed Lens, POE, SD card slot, Built in Mic and 30M IR support	1

## PACKING INFORMATION

Part Number	Packing Mode	Gross Weight (kg)	Dimension (mm)
ENV-HCD5F-30R-89	Carton Box	0.47	116.6 x 116.6 x 83.7

\*The image is for Reference Purpose only. The Actual Product May Vary in Shape or Appearance

