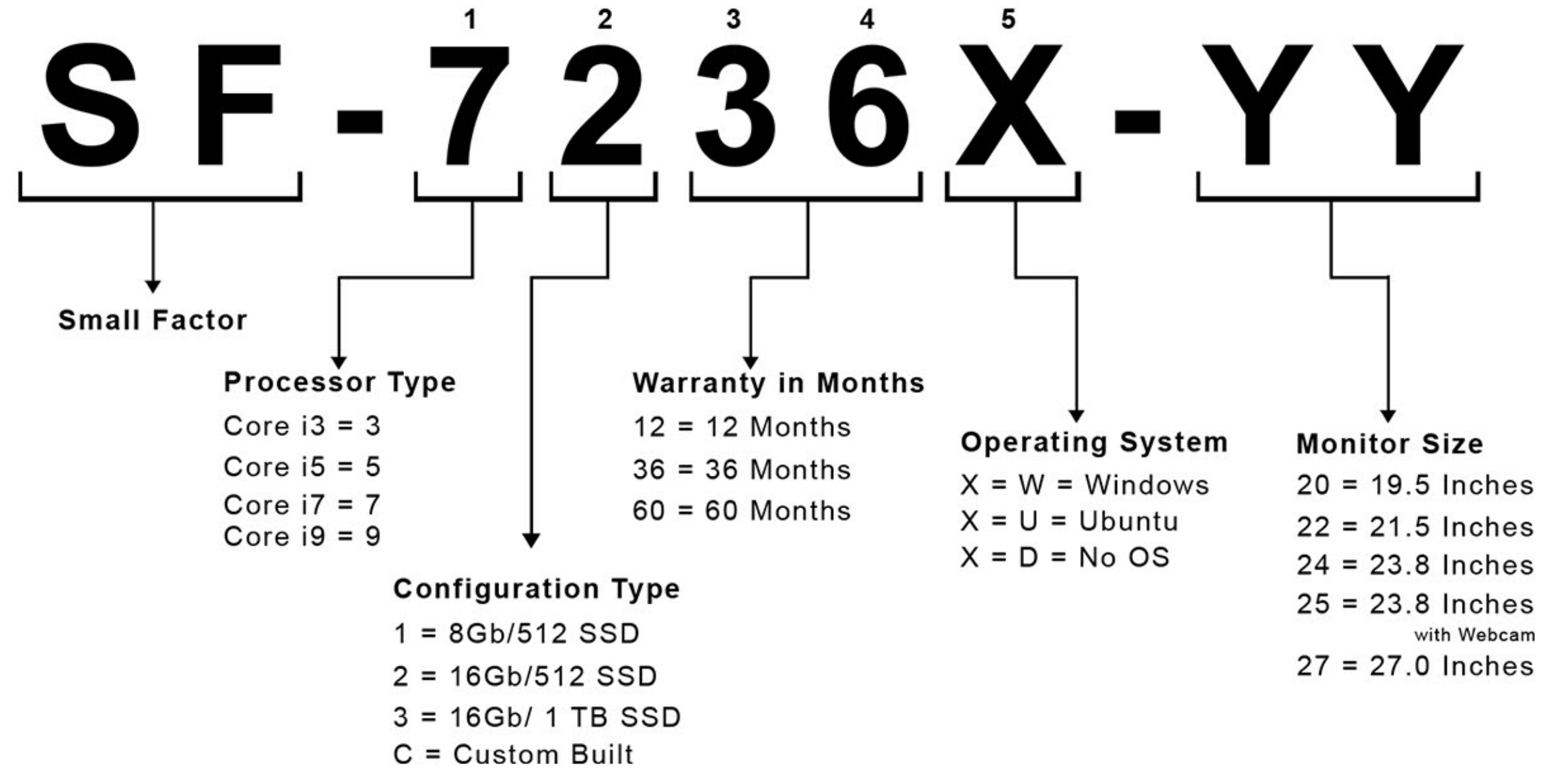


Small Factor PC

Product Nomenclature



Product Specifications

Model Series: BBPC-SF

Part #	SF-5136W-22
Type	Small Factor
Device Type	Desktop
Processor	Intel Core i5 (12th Gen)
Motherboard	H610
Memory	8GB DDR4
Video	Onboard / HDMI x 2 + DP x 1
Audio	Onboard
Storage	512 GB M.2 NVME
Optical Drive	NO
Digital Media Card Reader	NO
Communication Port	USB2.1 x 4 / USB 3.0 x 2
Interfaces	Onboard LAN RJ45 Gigabit
Expansion Slots	PCIe 4.0 x16 - 1 No / PCIe x1 3.0 - 1 Nos
Populated Slots with Addons	None
Expansion Bays	2.5" x 1 / 5.25" x 3
Power Supply	400 Watts
Display Unit	21.5" Display
Limited Warranty	3 Years
Special Warranty Addons	Standard Onsite
Software	Windows 11 Pro
Dimensions (System)	370 (L) x 195 (B) x 350 (H) mm
Dimensions (Box)	500 (L) x 245 (B) x 450 (H) mm
Weight	3.5 Kg (Net) 5 Kg (Gross)
Std Inclusions	Wired Kbd/Wired Optical Mouse/ Indian Power Cable

PS: This Datasheet is specifically designed for this bid only as this is a customised configuration by Bitbox for this particular client only

Disclaimer : The image shown is for illustrative purposes only and may vary from the actual product.